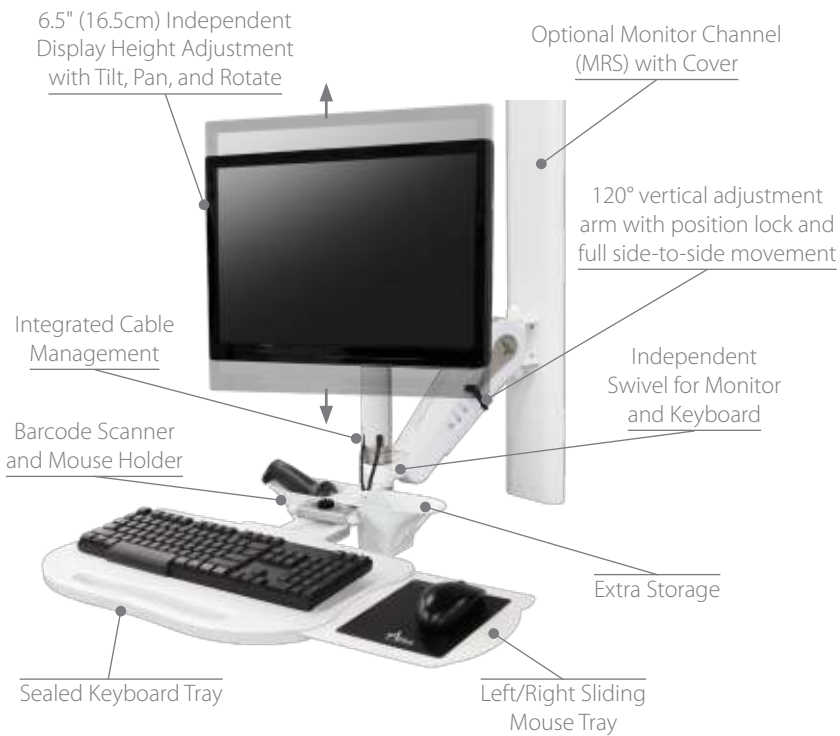


Falcon™ Computer Workstation



Features:

- Independent LCD height adjustment 6.5" (16.5 cm)
- Entire workstation folds back to as little as 9" (22.9 cm) from wall for storage when not in use
- Includes both 75/100 VESA mounting options with easy installation slots
- Intelligent cable management systems on arm, wall channel, and post
- Optional CPU mounts available
- Negative tilt keyboard adjustment
- Completely sealed keyboard tray for better infection control
- Easy access to barcode scanner and mouse holders
- Conveniently and ergonomically position your monitor and keyboard for maximum productivity, comfort, and patient to caregiver eye contact
- Can easily adjust from sitting to standing in one smooth motion
- 120° vertical arm adjustment with position lock and full side-to-side movement
- Overall vertical adjustment range can accommodate users of any height 17" (43.2 cm)
- Counterbalanced to provide effortless movement
- Durable aluminum construction

Sidekick Features:

- Integrated LED keyboard light with touch switch
- Large work surface with spill guard edge
- Magnetic whiteboard surface
- Lightweight, flip up with one hand

Optional Folding Extensions



Flip up your SideKick Secondary Surface for quick access to storage and magnetic whiteboard



Easily fold up your Falcon Workstation when you need to make space



6" (15.2 cm) extension
Entire system extends up to 44" (111.8 cm) from wall



9" (22.9 cm) extension
Entire system extends up to 47" (119.4 cm) from wall



12" (30.5 cm) extension
Entire system extends up to 50" (127 cm) from wall



16" (40.6 cm) extension
Entire system extends up to 54" (137.2 cm) from wall

NOTE: Dimensions are exact to within 0.5" (1.2 cm)

Falcon Ordering Guide



AHM-FIT - - -

Color

- W**
White
- X**
Custom

Keyboard Tray



F
Falcon



M
Mini



X
Custom



D
Sidekick Secondary Surface

Additional Extension Length

0

No Extension



7

6" (15.2 cm) Extension



3

9" (22.9 cm) Extension



1

12" (30.5 cm) Extension



5

16" (40.6 cm) Extension

Spring Strength

25

5.5-8 lbs (2.5-3.6 kg) Monitors

35

7.5-10 lbs (3.4-4.5 kg) Monitors

50

13-15.5 lbs (5.8-7 kg) Monitors

60 **

15.5-16.7 lbs (7-7.6 kg) Monitors

65 ***

16.7-18 lbs (7.6-8.1 kg) Monitors

75

18-22 lbs (8.1-10 kg) Monitors

XX

Custom

For Monitors > 22 lbs (10 kg) or Fixed Height

** Add MON-LCD-HANDLE for displays between 10-13 lbs (4.5-5.8 kg)

*** Maximum

Track Adapter



M
Monitor Channel



AB
*Amico Horizontal Direct Mount - Bottom



AT
*Amico Horizontal Direct Mount - Top



V
*Amico Vertical Direct Mount



G
*Hill-Rom Vertical Direct Mount



D
Datex/Ohmeda, Dovetail Direct Mount

Extension Type



F
Folding



R
Reverse Folding

5
N/A (No Extension)

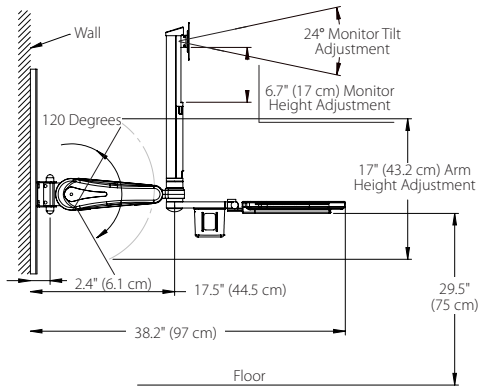
* Direct mount options not available with extensions.

NOTE: All dimensions are not exact.

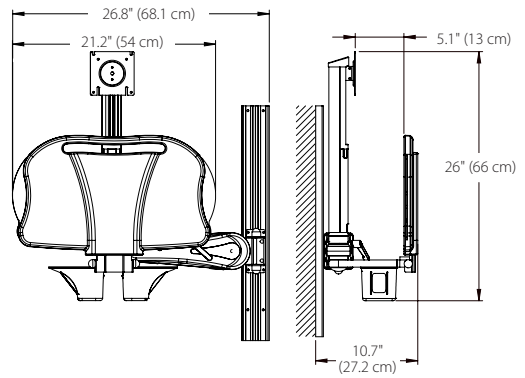
See page 4 for Accessories

Falcon Dimensions and Movement Range

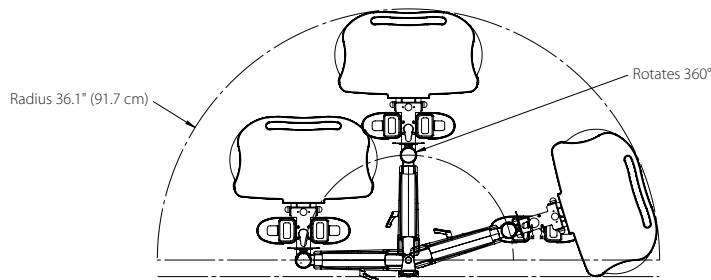
With No Extension



Extended Position

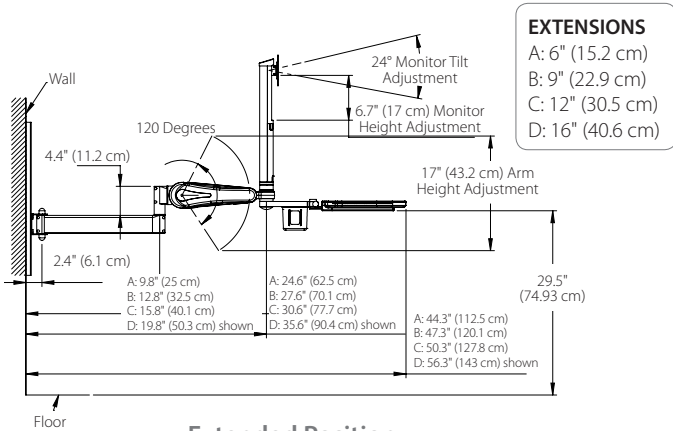


Folded Position

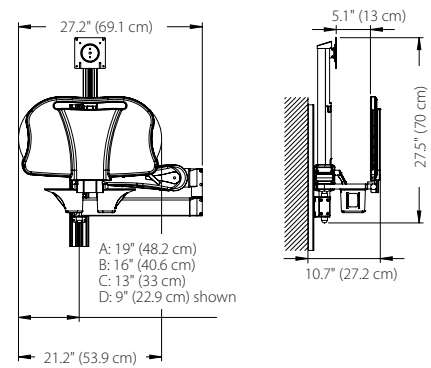


NOTE: Mouse tray may add 7" (17.8 cm) on either side when extended. All measurements are made with the arm in horizontal position.

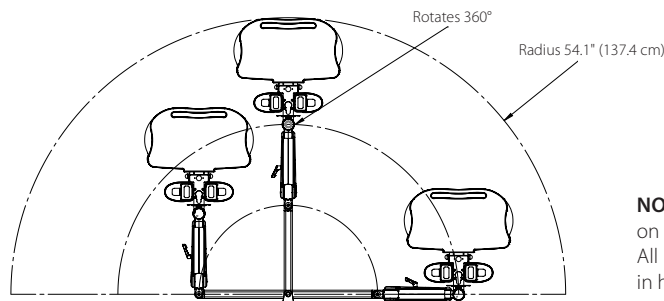
With Optional Extensions



Extended Position



Folded Position



NOTE: Mouse tray may add 7" (17.8 cm) on either side when extended. All measurements are made with the arm in horizontal position.

NOTE: All dimensions are not exact.

Falcon Accessories

Power Bar



- Hospital grade, 4 power outlets
- 120 VAC, 60Hz
- MON Adapter

Part Number: PWRBAR4-MON

Power Holder



- Holds most power adapters for PCs, patient monitors, and LCDs
- MON Adapter

Part Number: PWRHLD-MON

Cord Wrap



- Ideal for managing wires and cords

Part Number: CORDWRAP

LCD Handle



- Ergonomic handles can be added to any Amico LCD mount
- Knuckle guard protects walls and user's hands
- Weight: 4.3 lbs (2 kg)

Part Number: MON-LCD-HANDLE

Monitor Channel



- Standard wall channel 34" (86.4 cm)
- Seismic options and custom lengths available (ask sales rep for details)

Part Number: MRS-S034

Channel Covers



- Easy way to hide wires
- Available in patterns and colors to match any decor

Call for part number.

Wire Baskets



10" W x 06" D x 09" H
(25.4 cm x 15.2 cm x 22.9 cm)
White wire basket
MON Adapter
Part No: 100609-MON-BB



13" W x 09" D x 07" H
(33 cm x 22.9 cm x 17.8 cm)
BP cuff basket
MON Adapter
Part No: CUFBASK-MON

All baskets can be sterilized

Printer Mounts



- Mounts most portable printers to conveniently print at the bedside

CPU Mounts



Adjustable

1.5" - 3" (3.8 cm - 7.6 cm)
Part No: CPUMNT1-MON

1.5" - 7" (3.8 cm - 17.8 cm)
Part No: CPUMNTA-MON

7" - 9.5" (17.8 cm - 24.1 cm)
Part No: CPUMNT4-MON



Thin Client Mount behind LCD

10" x 10" x 1.75"
(25.4 cm x 25.4 cm x 4.4 cm)

10" x 10" x 3"
(25.4 cm x 25.4 cm x 7.6 cm)



Enclosed CPU Mount



Tangent Rugged Mini Mount

NOTE: All dimensions are not exact.

* Includes MON Adapter.

ELLIOTT
DATA SYSTEMS, INC.
www.elliottdata.com

**Point-of-Care Healthcare
Solutions Provider**

St. Louis, MO | Memphis, TN

1-888-345-8511