

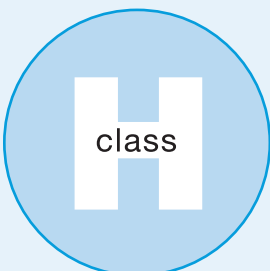


# ALTUS

Mobile Technology Workstations — Non-Powered



**ELLIOTT**  
DATA SYSTEMS, INC.



Flat Panel / Closed  
Laptop Cart

HHC7P

H Class  
Flat Panel / Closed Laptop Cart  
**HHC7P**



Model Number      Worksurface Dimensions      Base Dimensions      Weight  
HHC7P-XX-YYYY      23"D x 20"W      18"W x 20"D      48 lbs.  
(XX = counterbalance system - refer to pg.13, YYYY = worksurface color, refer to pg.14)



**Base**

- Reference: A18P- Polished
- 18" Height Adjustment (29" - 47")
- 100mm Highly Mobile Rollerblade Casters (2 Locking/2 Non-Locking)
- 18"W x 20"D Footprint
- Height Adjustment Hand Lever

**Worksurface**

- Reference: TH2320
- 1" Dual Surface - 23"W x 20"D
- Laptop Security System - Keyed
- Adjustable Upper Surface
- 3 Cable Management Grommet Holes
- Integrated Black Vinyl Palm Support

**Accessory**

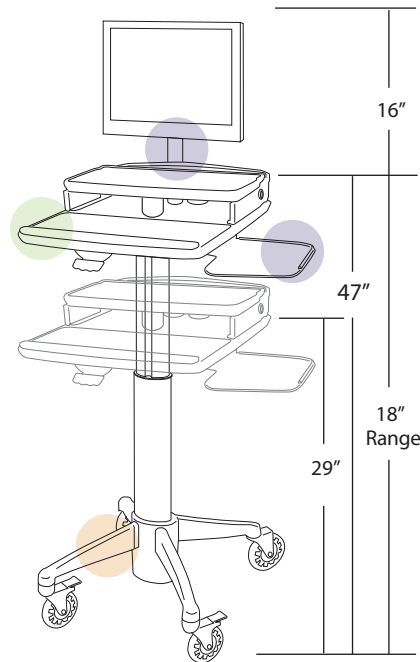
- Reference: SAM-2 (Swing A Mouse) 8"W x 9"D
- Reference: FSA-2 (Flat Panel Monitor Arm)

**Color**

- Standard Color: 0141 (Cloud)



- 1" 3D Laminate reversed tear drop edge
- For Additional Color Options See Pg. 14



ANSI/BIFMA Compliant

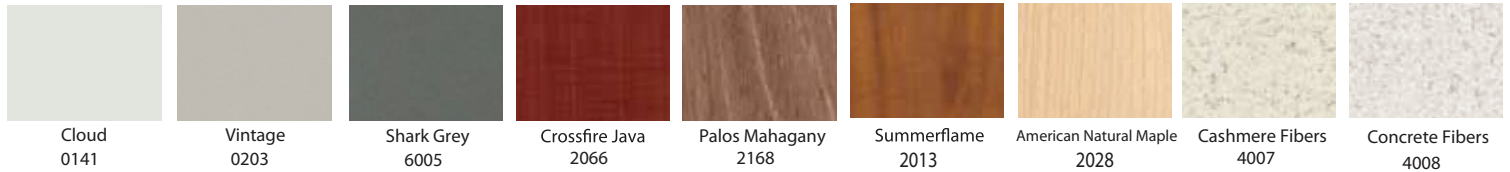
CARB 93120 Compliant

Thermofoil



**Alternative Worksurface Colors - Thermofoil with Reversed Teardrop Edge (4 week lead time)**

Worksurface spec = 1" 3D Laminate - Rigid Thermofoil Construction.



**Key Features:**



Flat Screen Monitor Arm (FSA-2), 16" Height Adj., +100°/-40° Tilt, +/- 90° Swivel, +/- 180° Rotation, VESA Std., 75mm or 100mm



Closed Laptop Used as CPU Secured Between Upper and Lower Surfaces



Adjustable Upper Surface Laptop Security Spacing: 2", 2.5", 3"H 20"W x 12.25"D, No Tools Required



Laptop Lock w/Key for Security & HIPPA



Back Detail of Laptop Security



Swing A Mouse (SAM-2) Swivel Mouse, 8"W x 9"D Black Finish, Worksurface Mount



Height Adjustment Hand Lever



Black Vinyl Palm Support



100mm Highly Mobile Casters 2 Locking/2 Non-Locking



Contact Elliott for more information  
**1-888-345-8511**  
healthcare.elliottdata.com



AHHC7P1007