

# SABRE MODULE v4

for HID® iCLASS SE® and multiCLASS SE® Readers



## Overview

The SABRE MODULE is a low-cost, 30-second upgrade that brings fast touchless mobile credentials, supplier-neutral MIFARE® DESFire®, WiFi (2G and 5G), and OSDP features to HID iCLASS SE and multiCLASS SE readers.

With a simple plug-in installation that requires no re-wiring, the SABRE MODULE delivers enterprise-grade security with leading touchless mobile access technology and support for MIFARE DESFire EV2 and EV3 credentials from any credential supplier.

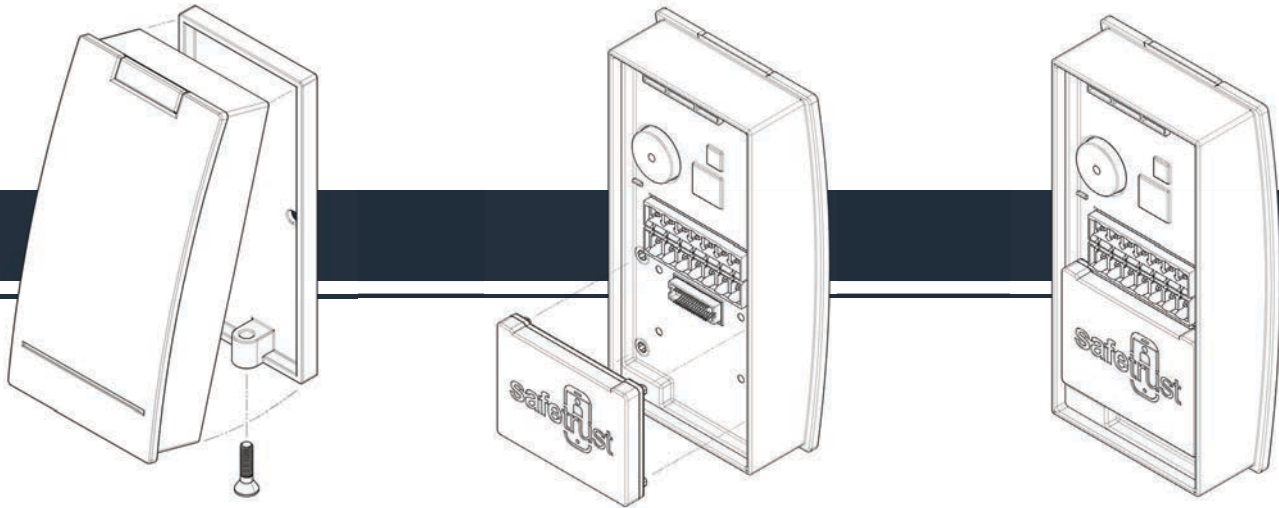
The SABRE MODULE also upgrades the host reader into a full IoT connected sensor, providing active scanning of BLE-enabled devices, with additional support for Thread and Zigbee.

## Key Features

- 100% Plug and Play**  
 30-second plug-in upgrade with zero downtime
- Support for Touchless Mobile Access**  
 Transform doors, elevators, parking garages, and more for seamless access using Safetrust mobile credentials, eliminating community touch-points and creating a safer workplace.
- Support for DESFire EV3 Security**  
 Migrate from prox and iCLASS credentials to DESFire EV3. Purchase secure credentials from any card vendor, lower your credential cost and open up form factors not supported by HID.
- Support for Contact Tracing**  
 Obtain proximity records for mobile devices in your workplace to find close contacts and potentially contain outbreaks before they escalate.



## Upgrade in 30 seconds, without any re-wiring



### 1. Remove reader from wall bracket

Remove the mounting screw and pull the reader in an 'out and upward' motion to remove it from the wall mount bracket.

### 2. Plug in the SABRE MODULE

Position the SABRE MODULE onto the reader's connector and press firmly to make a solid connection. (Note that the reader's connector is below the wiring — pictured above as a terminal strip but the wiring may alternatively be pigtail.)

### 3. Ready to go!

Once a firm connection is made between the MODULE and the connector, the MODULE will receive power and will be operational within 5 seconds.

## The smallest, fastest and most affordable way to upgrade your legacy readers



# Industry's First Third-Party Upgrade for HID® iCLASS SE® and multiCLASS SE® Readers

DATASHEET

8830-002

## Tech Specs

<b>Description</b>	Designed to upgrade HID® iCLASS SE® and multiCLASS SE® Readers with Safetrust Touchless Access, DESFire® EV3 security and support for contact tracing.
<b>Part Number</b>	8830-000
<b>Communication</b>	Wiegand, RS-485 OSDP, UART, GPIO, F2F
<b>Supported Reader Models</b>	HID® iCLASS SE® and multiCLASS SE® Readers
<b>Mobile Operating Systems</b>	Apple iOS 11.0 or later; Android 4.4 or later on devices with the Safetrust Wallet app
<b>Mobile Credential Emulations</b>	Most popular 125kHz prox formats from HID®, Indala®, AWID®, GE Casi®, Farpointe and Honeywell®, MIFARE® Classic, MIFARE® DESFire® and Seos® Credentials
<b>Bluetooth Range</b>	Touch to 50 ft (0 to 15 meters)
<b>WiFi</b>	802.11b/g/n 2.4 GHz, 5.8 GHz, IPv4, IPv6, 802.1x
<b>RF Transmit Frequency</b>	2.4 GHz - 2.48 GHz
<b>Mounting</b>	Plug-in
<b>Operating Conditions</b>	-31 to 149°F (-35 to +65°C)
<b>Weight</b>	0.17 oz (5g)
<b>Dimensions</b>	1.1" x 1.49" x 0.20" (28 x 38 x 5mm)
<b>Encryption</b>	Hardware secure element EAL 5+, AES 256, ECC, TLS, x.509, OSDP v2 SC
<b>Memory</b>	16MB
<b>Relay</b>	External only, 5V control line GPIO3/GPIO4 wires
<b>Power Requirements</b>	Supply Voltage 6-17 VDC
<b>Power Monitoring</b>	12V input line monitoring with MQTT alerts and low power mode
<b>Power Consumption</b>	Wi-Fi 2 - 50 mA, BLE 2 - 20 mA
<b>Certifications</b>	FCC Part 15 Modular Transmitter Certification (KDB996369 DO1 & Part 15.212), Canada IC, EU EMC CE, India ETA-WPC, RCM, RoHS, WEEE
<b>Warranty</b>	Lifetime Warranty (review warranty for complete details)



www.elliottdata.com



*Local Identification, Secure Access  
& Accountability Solutions Provider*

St. Louis, MO | Memphis, TN

**1-888-345-8511**



Specifications are subject to change without notice.  
Copyright © Safetrust Inc. All rights reserved.